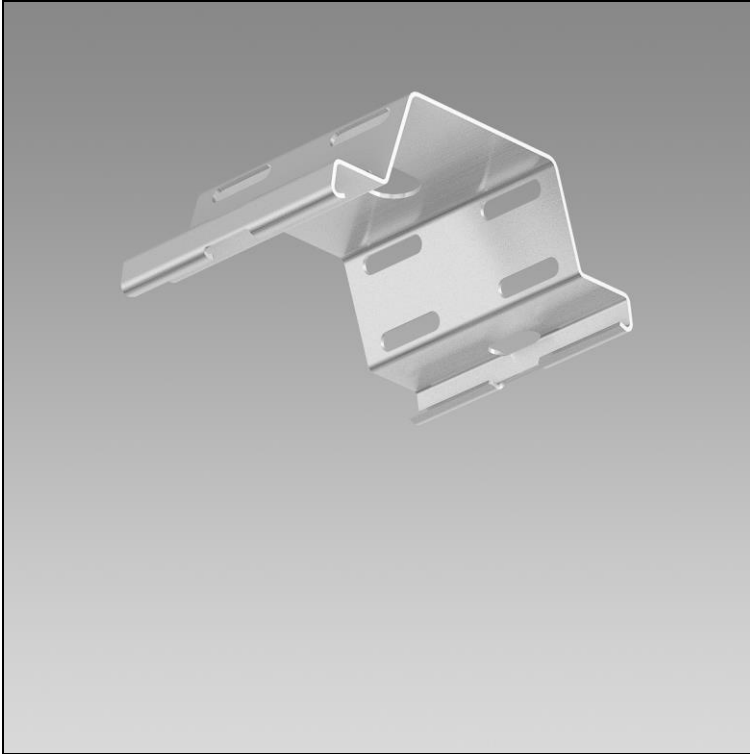


Datasheet

Purelite Mounting spring

1022.7195

58FED.02



Weight

0.004 kg

Mounting spring Purelite in spring steel,
to facilitate mounting the support profile on the ceiling, to compensate
for uneven surfaces, as a placeholder for cable routing